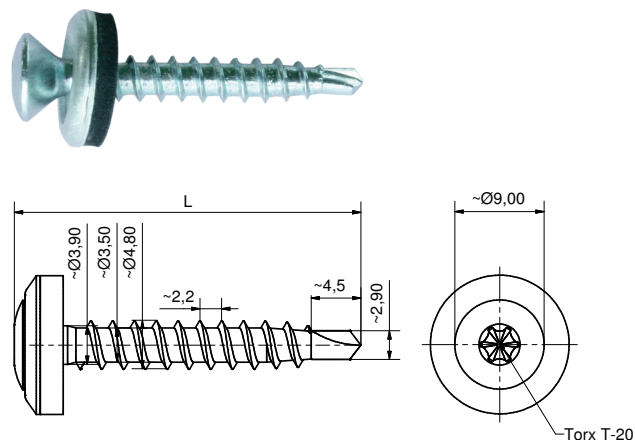


FACADEBORSKRUE

LP™ 4.8 X L #1 TX20 M-ALU-14B

Selvborende skrue for montage af tyndplade på træunderlag

Nominal diameter:	Ø4.8 mm
Længde (L):	35 mm
Hoved:	LP™ (low profile) hoved med Torx 20 indstik
Materiale:	Indsatshærdet kulstof stål (C1016 - C1022)
Borespids:	#1
Boreevne:	Max. 2 x 1.25 mm (stål 280GD)
Skive:	Ø14mm M-skive i aluminium med påvulkaniseret EPDM gummi
Overfladebehandling:	ZYTEC™
Anvendelsesklasse:	3 (jf. EN 1995-1-1)
Korrosionskategori:	C3 (jf. EN ISO 12944-6)



Teknisk data

Regningsmæssige bæreevner

Skuens bæreevne beregnes iht. de gældende standarder. For træk bæreevnen er det den laveste værdi af udtræk eller gennemlokning der er noteret i skemaet.

Forhold på byggepladsen kan have indflydelse på angivne teoretiske bæreevneværdier. Disse må derfor kun betragtes som vejledende. Praktiske tests i den specifikke applikation anbefales for verifikation af skemaværdierne.

Forudsætninger:

Underliggende emne: Konstruktionstræ, C24 ($\rho_k = 350\text{kg/m}^3$)
Monteret emne: Stål S280GD - EN 10346

L = Skruens længde [mm]

t = Tykkelse af det påsatte emne [mm]

Skemaets regningsmæssige værdier er baseret på de karakteristiske testresultater fra den tilhørende Europæiske tekniske godkendelse: ETA-10/0021.

Alle bæreevner er angivet i enheden kN (1kN \approx 100 kg)

Sikkerhedsfaktor: $\gamma_M = 1.35$, $k_{mod} = 0.90$



Trækbæreevne

L t	35,0
0,50	0,88
0,55	0,90
0,63	0,91
0,75	0,91
0,88	0,91
1,00	0,91
1,13	0,91
1,25	0,91

Forskydningsbæreevne

L t	35,0
0,50	0,94
0,55	0,94
0,63	0,94
0,75	0,94
0,88	0,94
1,00	0,94
1,13	0,94
1,25	0,94

DECLARATION OF PERFORMANCE

In compliance with 'REGULATION (EU) No 305/2011 of 9 March 2011 on the approximation of laws, regulations and administrative provisions of the Member States relating to construction products' (the Construction Products Directive or CPD), as amended by Directive 93/68/EEC of the Council of European Communities of 22 July 1993, it has been stated that the construction products

Product identifications:

MG:06 PG:2260 | LP™ 4.8xL#1 TX20 M-ALU-14B

(Main Group # Product Group # | Item name)

The screws mentioned above is packed in branded cartons clearly marked with CE according to ETA-10/0021. For product parameters and particular conditions applicable to the use of the product according to the technical specifications – please refer to technical data sheets.

Placed on the market by:

RED HORSE | dissing as

Niels Bohrs Vej 25-27, Stilling
DK-8660 Skanderborg, Denmark

(Name / address)

The above is submitted by the manufacturer to a factory production control and to the further testing of samples taken at the factory in accordance with a prescribed test plan and that the notified test laboratory has performed the initial type-testing for the relevant characteristics of the product.

Name of the laboratory:	Karlsruhe Institute of Technology (KIT) - Kaiserstraße 12, DE-76131 Karlsruhe
Issuing Approval Body:	Deutsches Institut für Bautechnik (DIBt) - Kolonnenstraße 30 B, DE-10829 Berlin
ETA number:	ETA-10/0021
System of Assessment:	System 3
Validity:	2013-06-18 to 2018-06-18

This declaration of conformity attests that all provisions concerning the attestation of conformity and the performances described in the ETA approval:

ETA-10/0021

are applied and that the product fulfils all the prescribed requirements.

Date of Issue: 18-06-2013



Allan Klíngenberg Larsen
Dipl.-Ing. [Tech/Engineering]

RED HORSE®
Niels Bohrs vej 25
Stilling
DK-8660 Skanderborg
CVR/VAT no: DK 15085479
Tel.: +45 86 95 00 99
Fax: +45 86 95 00 55
info@redhorse.dk
www.redhorse.dk

Company stamp
RED HORSE | dissing as



CE-marking
2010